

# Ledin

AUSTRALIA

## AMARI 1600



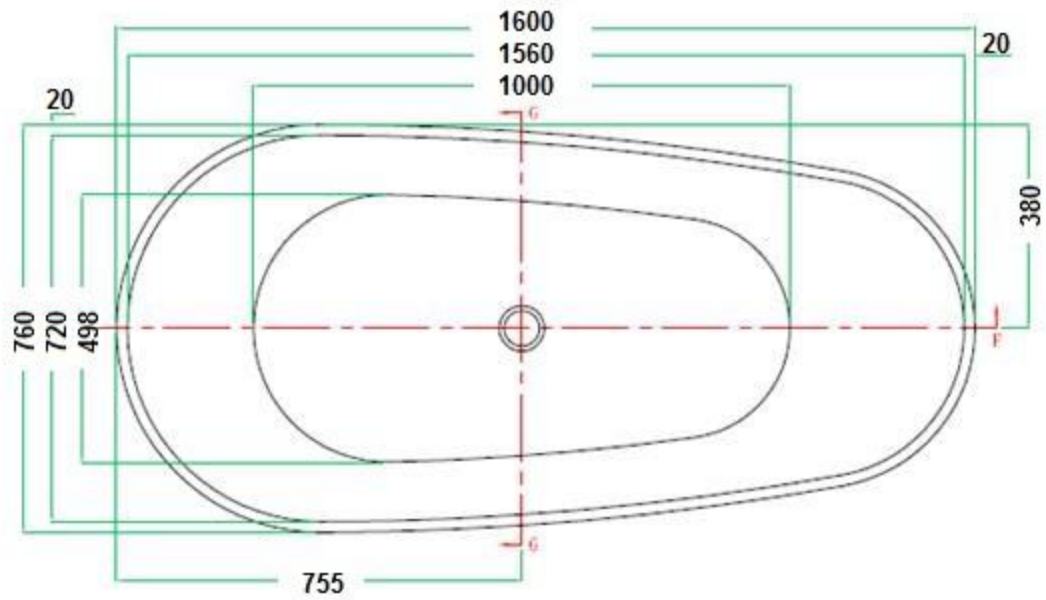
**LUCITE**<sup>®</sup>  
The source of inspiration

- 1600 X 760 X 580
- 275 litre capacity
- 57Kg dry weight

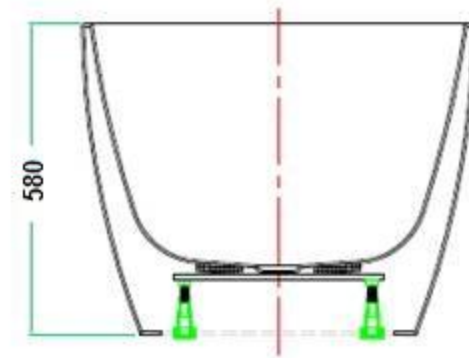
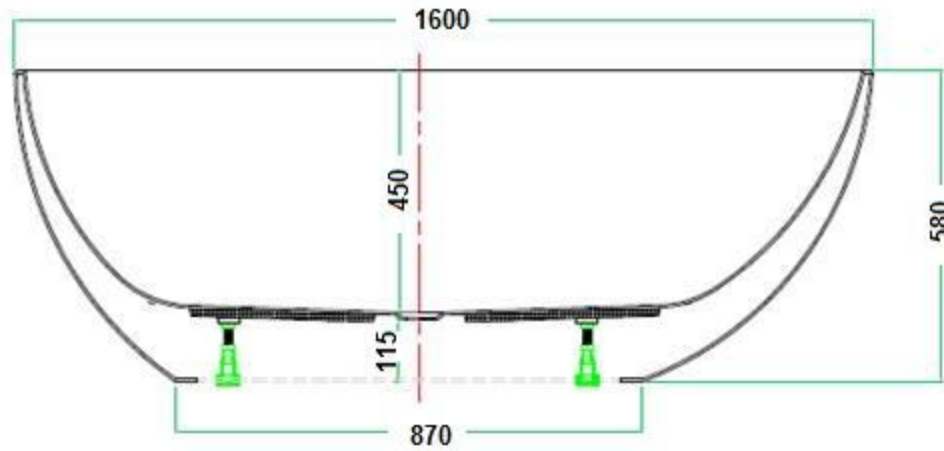


Modern tear drop design.  
Adjustable levelling legs  
Constructed on a robust frame.  
Lucite Cross Linked sanitary grade acrylic  
25 year warranty.





Front View



**Ledin**  
AUSTRALIA

**LUCITE**<sup>®</sup>  
The source of inspiration

## AMARI 1600