

Ledin
— AUSTRALIA —

CERAMIC TOPS



www.ledinaustralia.com.au

Ledin
AUSTRALIA



MINI
600mm, 750mm



ALLURE
600, 750, 900, 1200



ELISE 30mm
600, 750, 900, 1200



LINDA
600, 750, 900, 1200

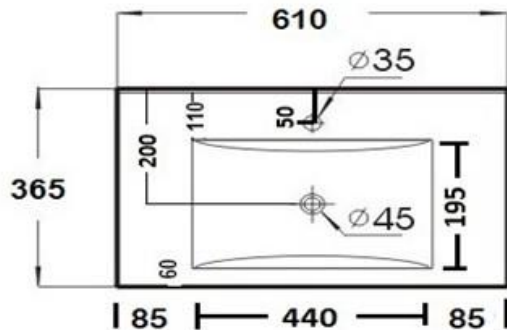
32mm overflow plug and waste required



600 Mini Ensuite Ceramic Top

Gloss White 610W x 365D x 145H

600 ENSUITE / MINI TOP



basin 80mm deep

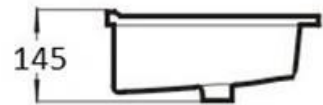
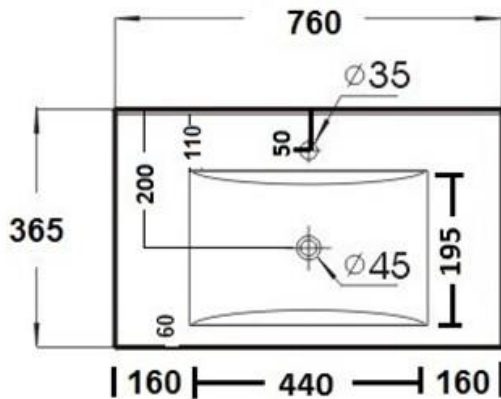
PLEASE NOTE THAT DUE TO MANUFACTURING TOLERANCES
DIMENSIONS ARE SUBJECT TO VARIATION



750 Mini Ensuite Ceramic Top

Gloss White 760W x 365D x 145H

750 ENSUITE / MINI TOP



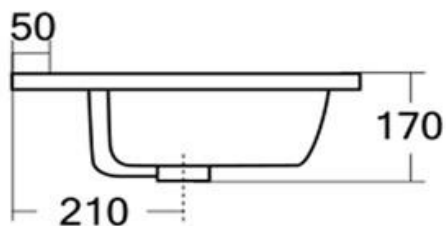
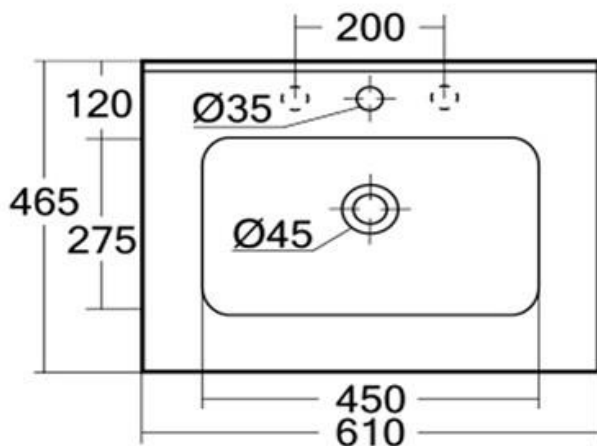
basin 80mm deep

PLEASE NOTE THAT DUE TO MANUFACTURING TOLERANCES
DIMENSIONS ARE SUBJECT TO VARIATION

600 Allure Ceramic Gloss White Top

Gloss White

610W x 465D x 170H



PLEASE NOTE THAT DUE TO MANUFACTURING TOLERANCES
DIMENSIONS ARE SUBJECT TO VARIATION

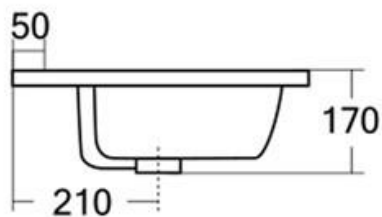
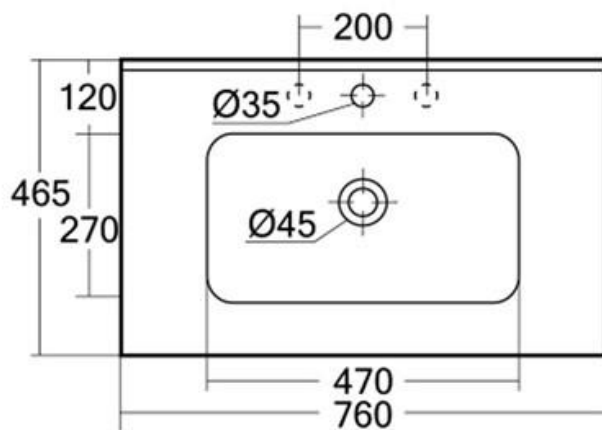
Ledin

AUSTRALIA

750 Allure Ceramic Gloss White Top

Gloss White

760W x 465D x 170H

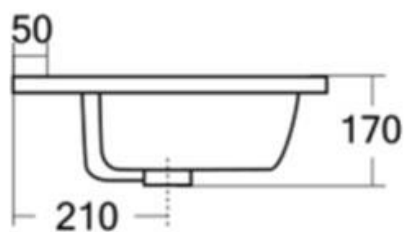
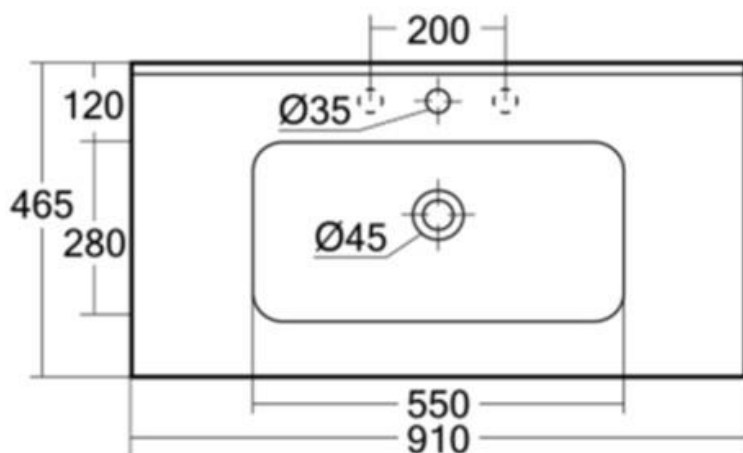


PLEASE NOTE THAT DUE TO MANUFACTURING TOLERANCES
DIMENSIONS ARE SUBJECT TO VARIATION

900 Allure Ceramic Gloss White Top

Gloss White

910W x 465D x 170H



PLEASE NOTE THAT DUE TO MANUFACTURING TOLERANCES
DIMENSIONS ARE SUBJECT TO VARIATION

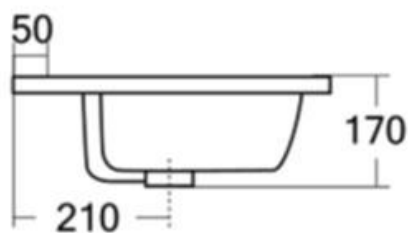
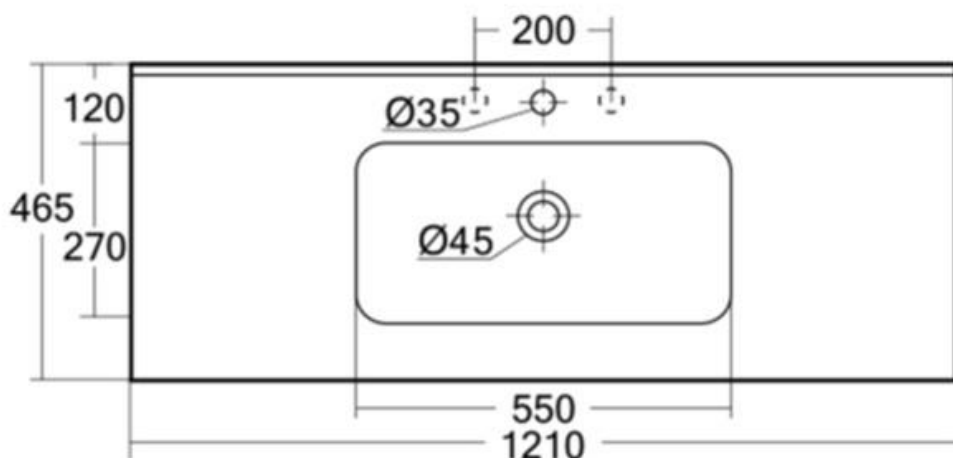
Ledin

AUSTRALIA

1200 Allure Ceramic Gloss White Top

Gloss White

1210W x 465D x 170H

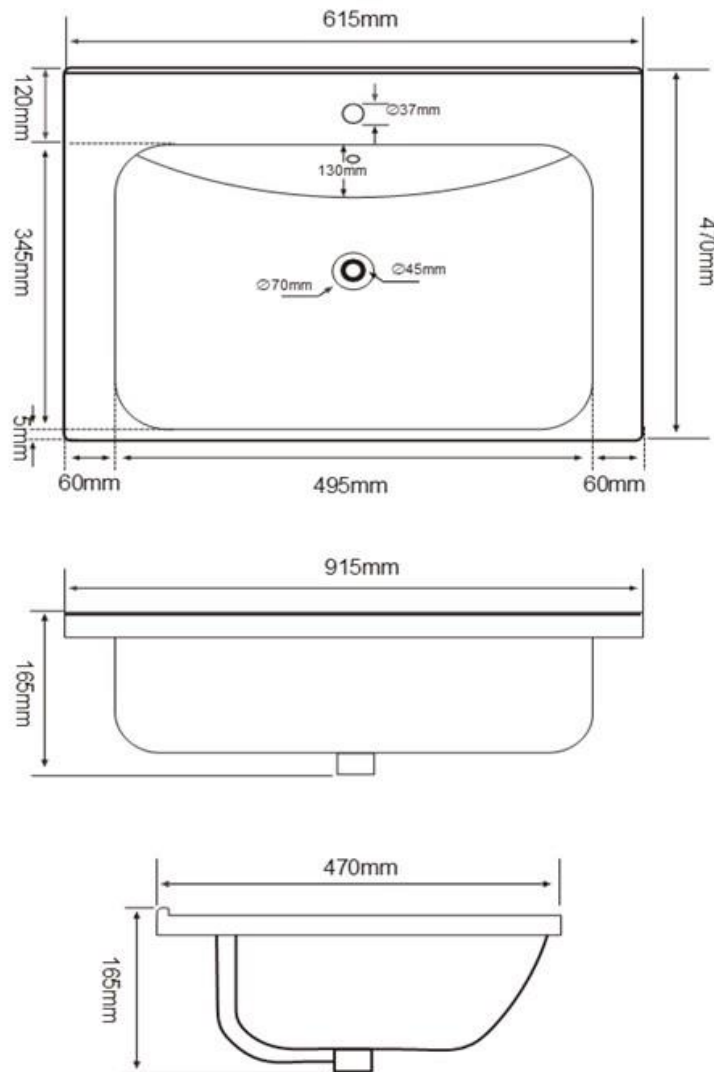


PLEASE NOTE THAT DUE TO MANUFACTURING TOLERANCES
DIMENSIONS ARE SUBJECT TO VARIATION



600 Elise Ceramic Top

Gloss White 615W x 470D x 165H

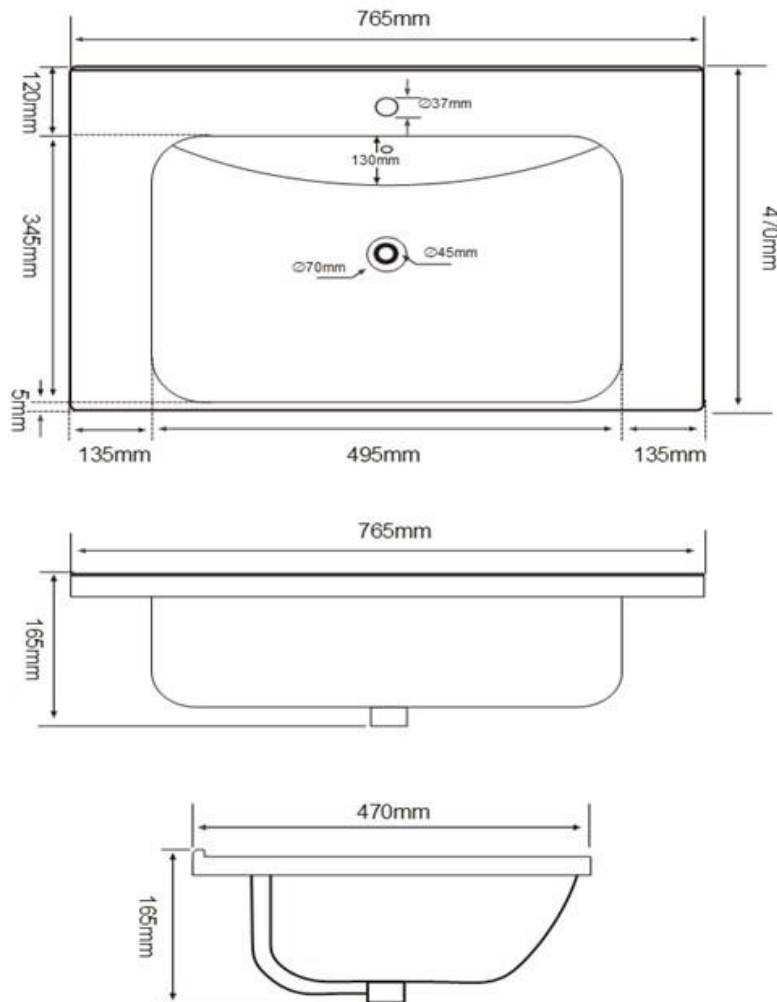


PLEASE NOTE THAT DUE TO MANUFACTURING TOLERANCES
DIMENSIONS ARE SUBJECT TO VARIATION



750 Elise Ceramic Top

Gloss White 765W x 470D x 165H

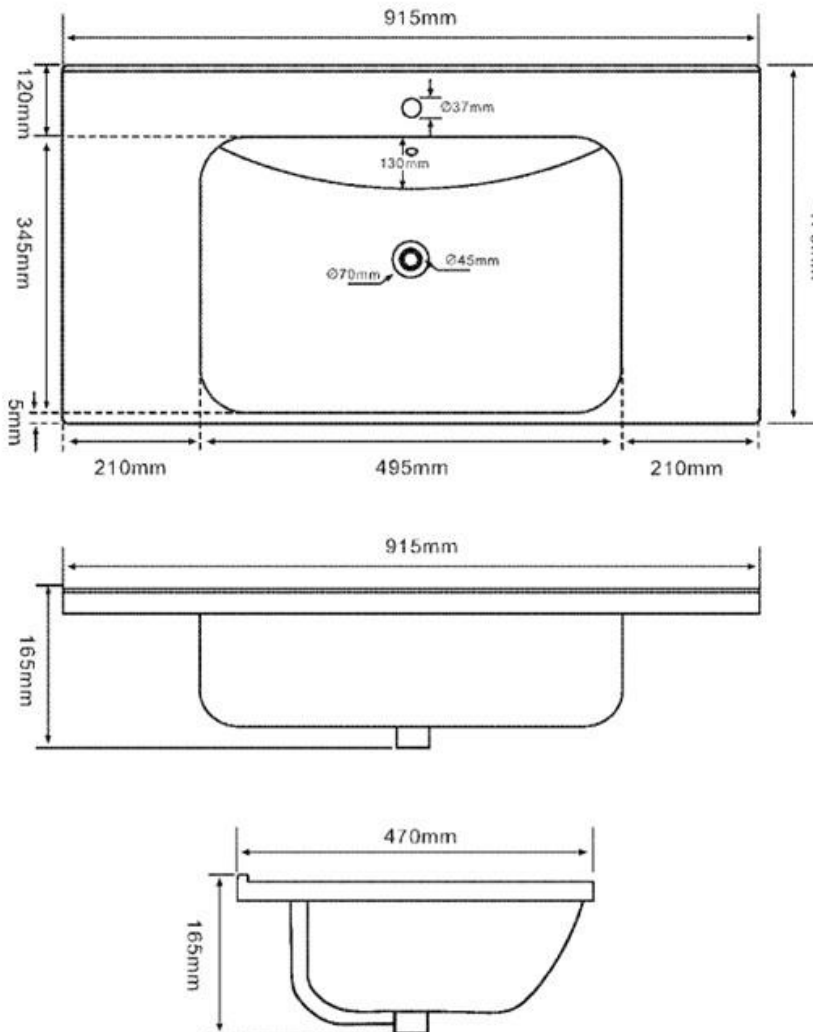


PLEASE NOTE THAT DUE TO MANUFACTURING TOLERANCES
DIMENSIONS ARE SUBJECT TO VARIATION



900 Elise Ceramic Top

Gloss White 915W x 470D x 165H

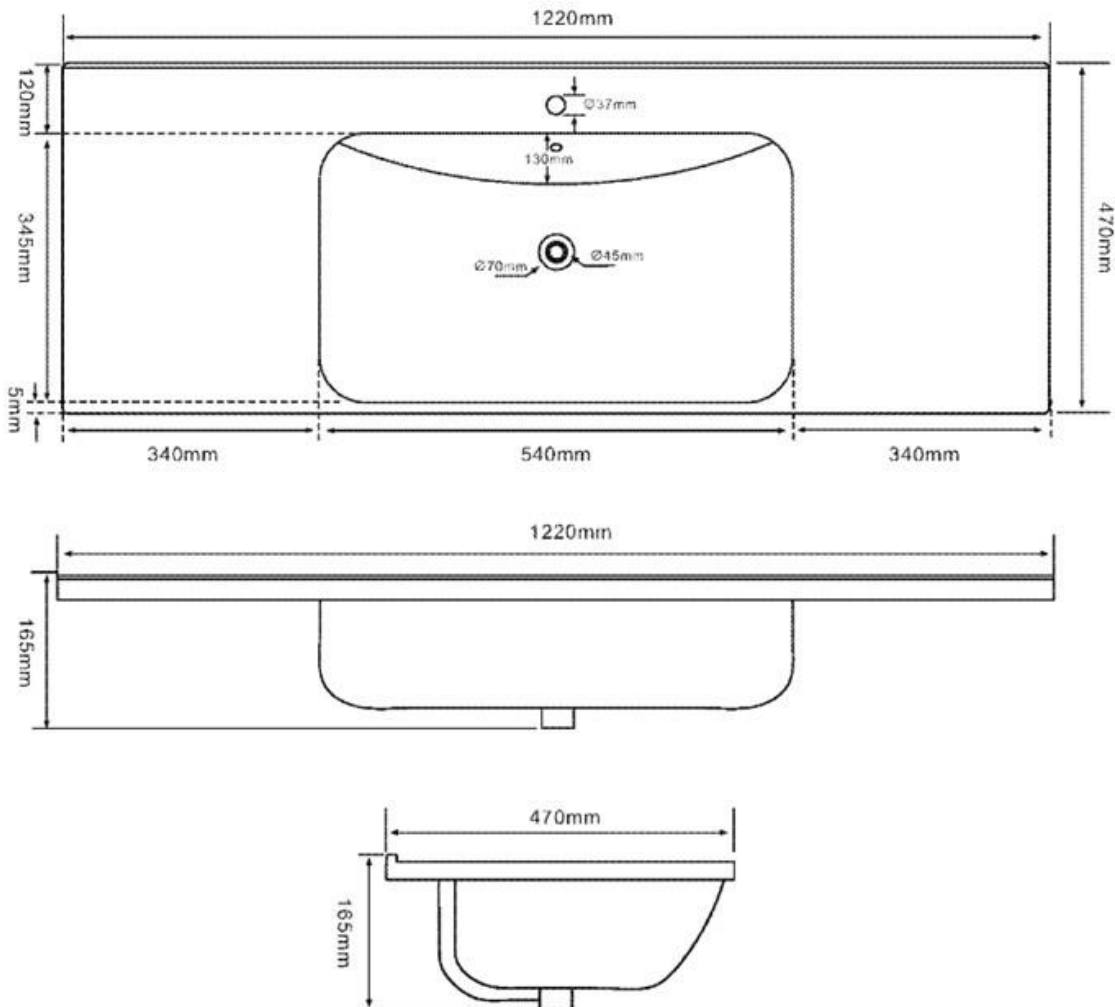


PLEASE NOTE THAT DUE TO MANUFACTURING TOLERANCES
DIMENSIONS ARE SUBJECT TO VARIATION



1200 Elise Ceramic Top

Gloss White 1220W x 470D x 165H

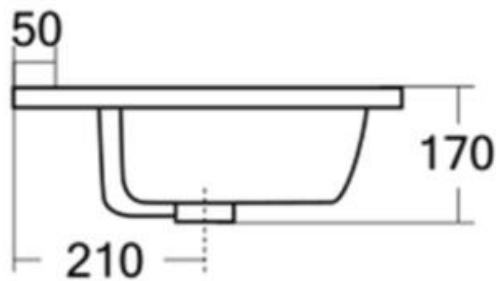
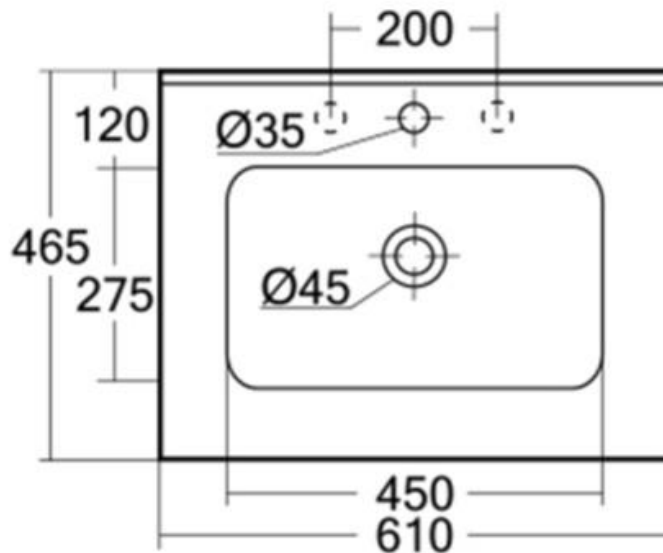


PLEASE NOTE THAT DUE TO MANUFACTURING TOLERANCES
DIMENSIONS ARE SUBJECT TO VARIATION



600 Linda Ceramic Top

Gloss White 615W x 465D x 170H

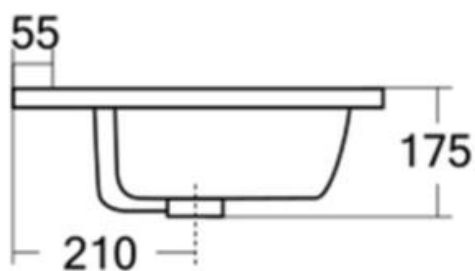
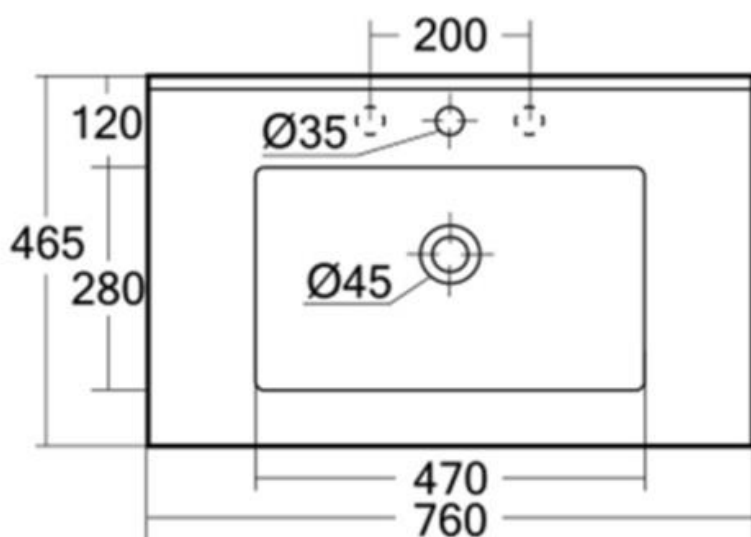


PLEASE NOTE THAT DUE TO MANUFACTURING TOLERANCES
DIMENSIONS ARE SUBJECT TO VARIATION



750 Linda Ceramic Top

Gloss White 760W x 465D x 175H

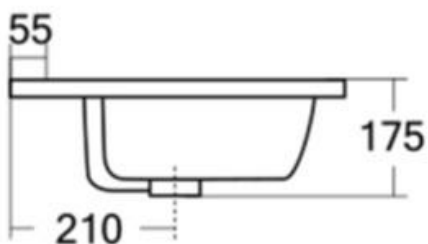
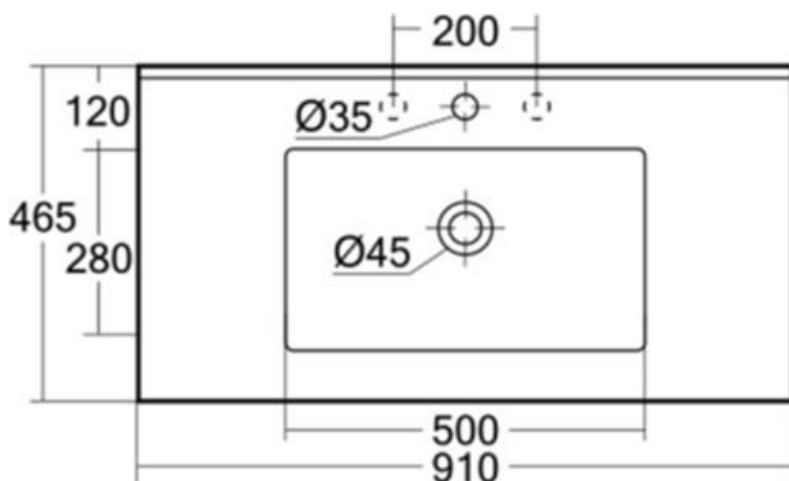


PLEASE NOTE THAT DUE TO MANUFACTURING TOLERANCES
DIMENSIONS ARE SUBJECT TO VARIATION



900 Linda Ceramic Top

Gloss White 910W x 465D x 175H

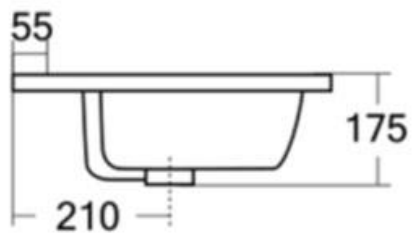
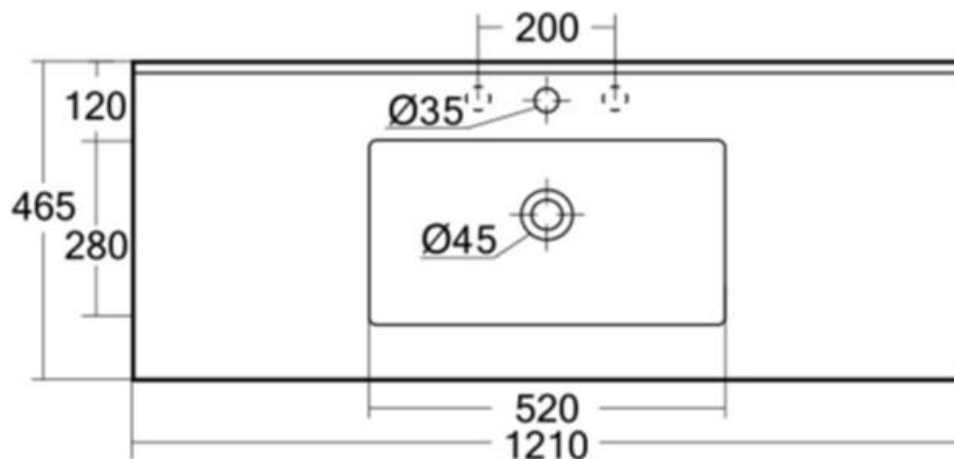


PLEASE NOTE THAT DUE TO MANUFACTURING TOLERANCES
DIMENSIONS ARE SUBJECT TO VARIATION



1200 Linda Ceramic Top

Gloss White 1210W x 465D x 175H



PLEASE NOTE THAT DUE TO MANUFACTURING TOLERANCES
DIMENSIONS ARE SUBJECT TO VARIATION



Warehouse and contact details

**Unit 11, 274 -276 Hoxton Park Rd Prestons NSW
All mail to P.O Box 364 Padstow NSW 2211
Fax: 02 858 289 81**

**Email: sales@ledinaustralia.com.au
Website: www.ledinaustralia.com.au**

Warranty information

Ledin Australia Pty Ltd warrants the products we distribute for the period of five years from the date of purchase. Ledin Australia Pty Ltd will at its discretion, pursuant to its obligations under the competition and consumers act 2010: repair or replace the defective product or parts.

ALL ITEMS MUST BE INSPECTED THOROUGHLY BEFORE INSTALLATION. FOR FAULTS OR DAMAGE. IF A FAULT IS FOUND IMMEDIATELY NOTIFY LEDIN AUSTRALIA OR YOUR PLACE OF PURCHASE. THE ITEM MUST NOT BE INSTALLED WITHOUT AUTHORITY FROM LEDIN AUSTRALIA PTY LTD. NO CLAIMS WILL BE ACCEPTED WITHOUT THIS AUTHORITY

This warranty does not cover damage by improper installation, neglect or misuse, improper care and maintenance, water damage and natural causes such as sunlight or excessive humidity. It should be noted that all cabinets are manufactured from water resistant materials but are **not waterproof**. All care must be taken immediately to dry any spillage of water that may gain entry to the cabinet. All claims for warranty should be reported to the original place of purchase with a copy of purchase receipt. Cabinets must not be affixed in by tiles, and cabinets must be installed in such a way that they can be removed if required without disturbing any tiles. Cabinets must be protected from water from baths and showers by protective screens. **CABINETS MUST BE SCREWED TO THE WALL**

Regulation 90 of the ACL 2010 states: Our goods come with guarantees that that cannot be excluded under the Australian consumer law. You are entitled to a replacement or refund for a major failure and for compensation for any other reasonably foreseeable loss or damage. You are also entitled to have the goods repaired or replaced if the goods fail to be of acceptable quality and the failure does not amount to a major failure.

LEDIN AUSTRALIA IS 100% AUSTRALIAN OWNED