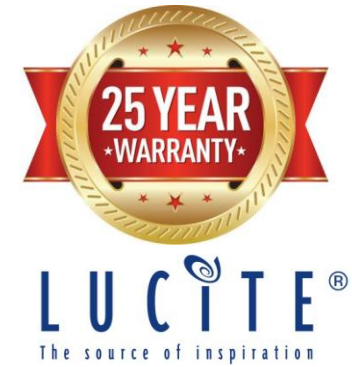


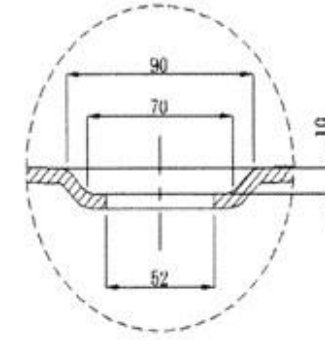
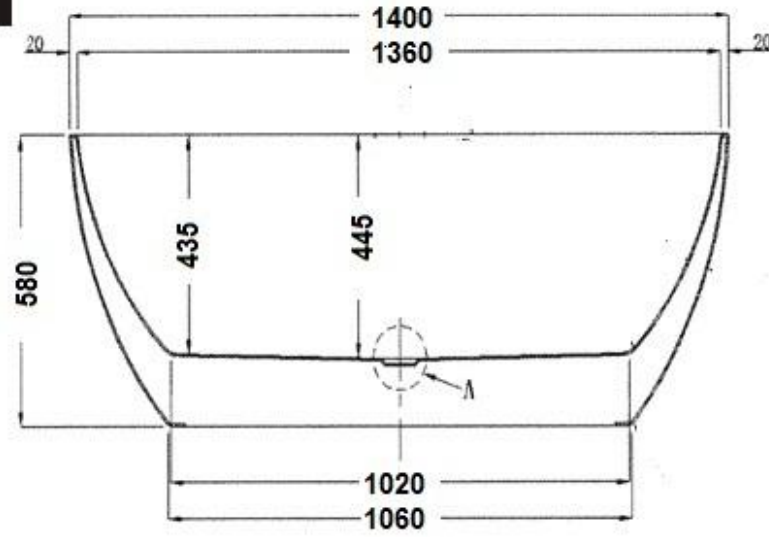
CYNTHIA 1400/1600



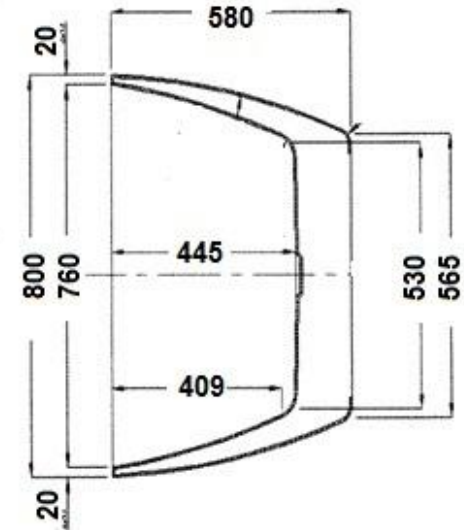
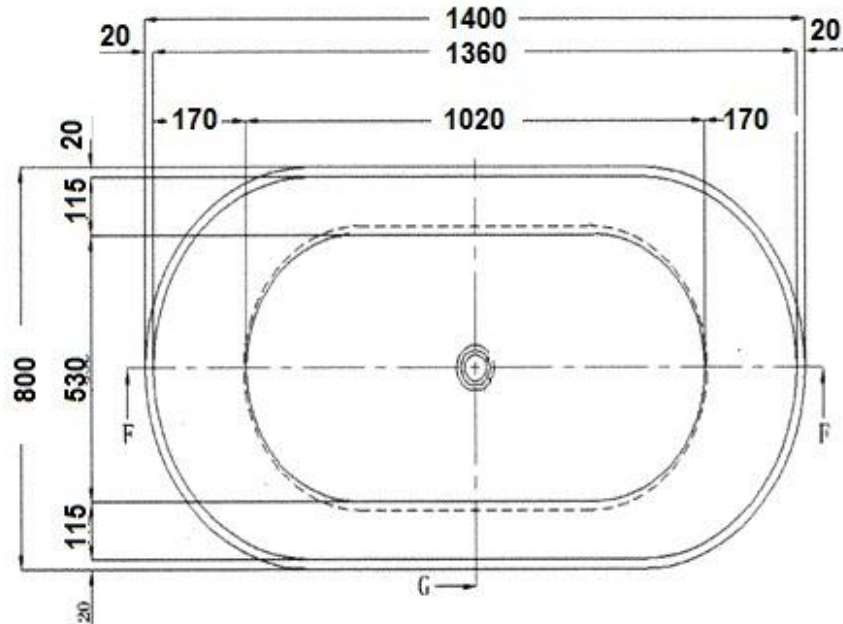
1400 x 800 x 580: 249 Litre capacity: 54kg dry weight
1600 x 800 x 580: 285 Litre capacity: 58kg dry weight

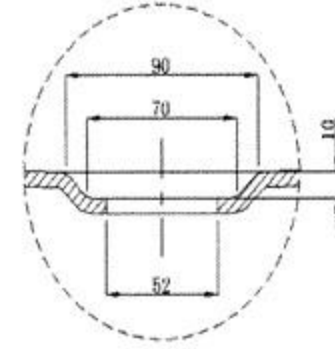
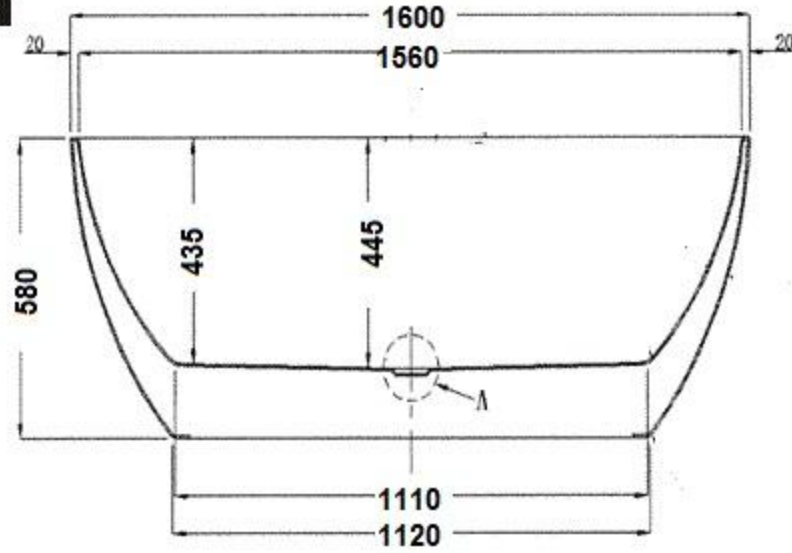


Classic Slim line oval design.
Adjustable levelling legs
Constructed on a robust frame.
Lucite Cross Linked sanitary grade acrylic
25 year warranty.



1400 CYNTHIA





1600 CYNTHIA

