

# HEIDI

WALL HUNG





# Heidi wall hung Fingerpull design

**The Heidi wall hung Cabinet Available in full White gloss or Textured Oak finish.**

**Finger pull doors and drawers prestige Charcoal grey interior on Gloss white cupboard, and full textured oak on the oak cupboard. Available in 900mm, 1200 , 1500mm. Soft close doors and drawers.**

**Choice of ceramic console tops on 900 and 1200 sizes.**

**Choice of 20mm solid surface benchtop colours.**



# Ceramic basins



**MINI ERIN**

310mm x 310mm x 110mm



**ERIN**

370 Round x 120mm



**MINI ANITA**

320mm x 110mm



**ANITA**

400mm x 110mm



**MINI CRUZE**

370mm x 250mm x 110



**CRUZE**

460mm x 325mm x 140

# Plug and waste not supplied

# Ceramic basins



**EMILY**

525mm x 300mm x 115mm



**EGG**

415mm x 330mm x 140mm



**KONA**

500mm x 380mm x 120mm



**DARIA**

500mm x 340mm x 110mm



**PYE  
Fluted**

370R x 125mm

# Plug and waste not supplied

# SEMI INSET CERAMIC BASINS



**BAILEY SEMI INSET**  
480 X 300 X 60 out



**TATUM SEMI INSET**  
405r x 65 out



**VIOLA SEMI INSET**  
530x340 x 65 out

## Ceramic Console tops



**Linda**  
900,1200



**ELISE 30MM**  
900,1200



**Allure**  
900,1200

32mm Plug and waste required

20MM SOLID SURFACE BENCH TOP COLOURS



**PEBBLE**



**WHITE**



**BMW**



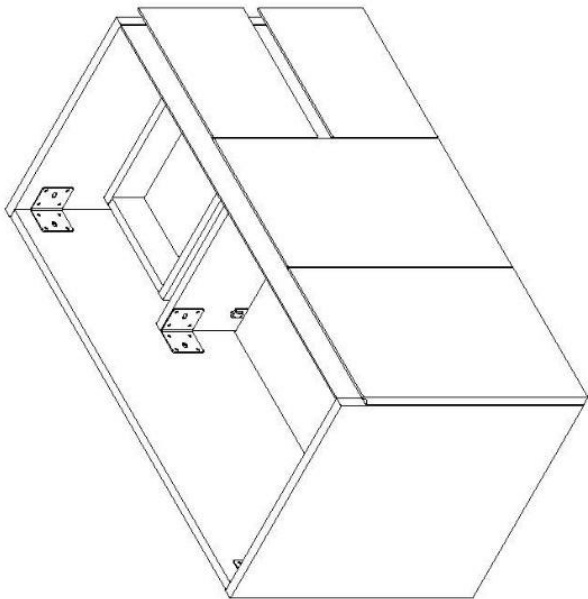
**SLATE**

**Printing processes impose limitations on exact colour reproductions. Images are representative of colours only . Actual colour should be checked at your local stockist**

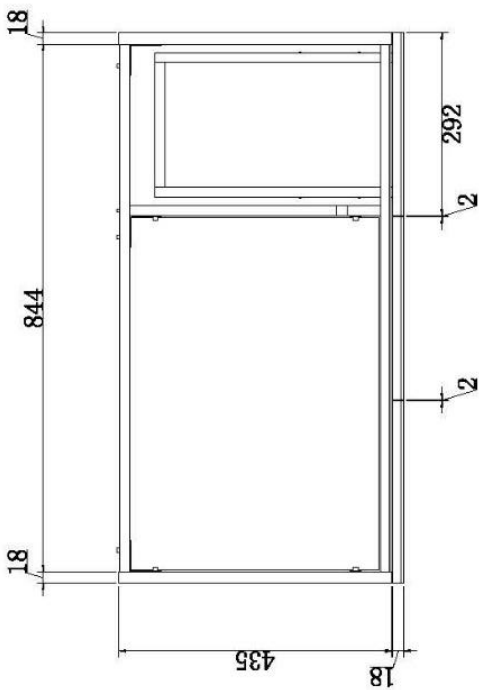
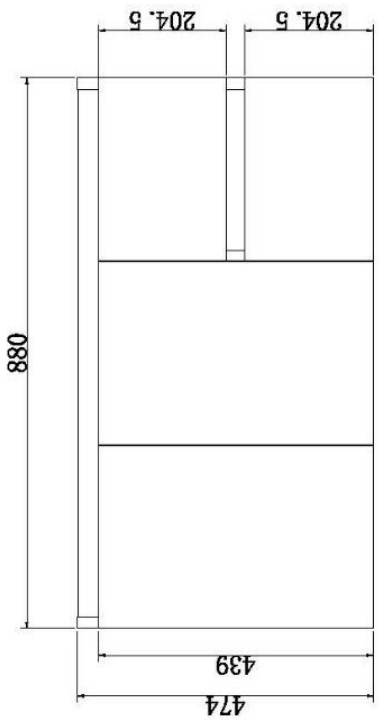
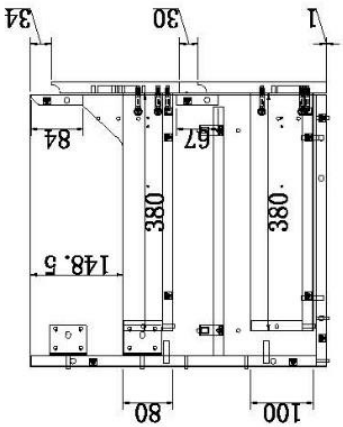
What is Solid Surface

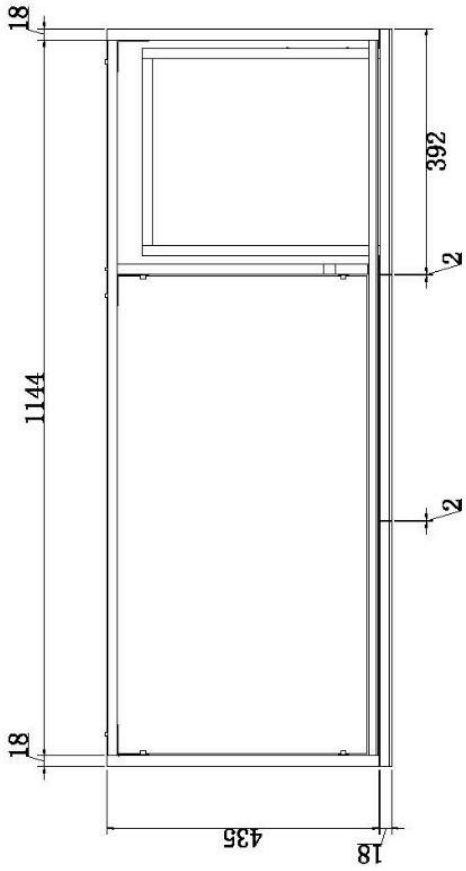
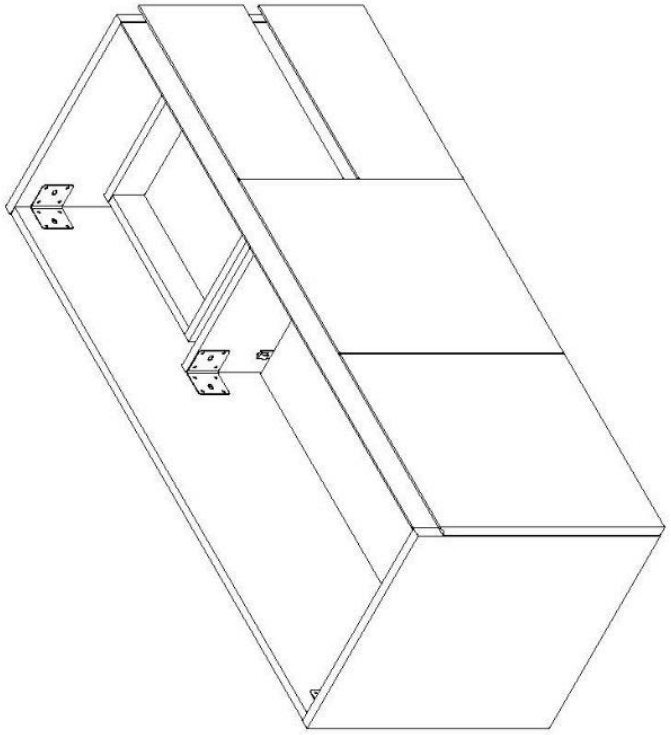
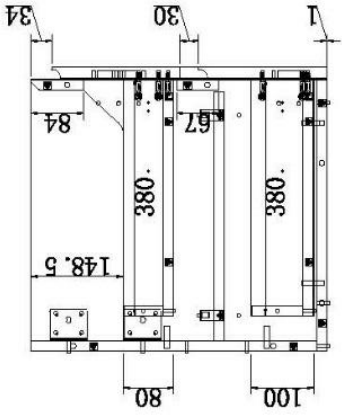
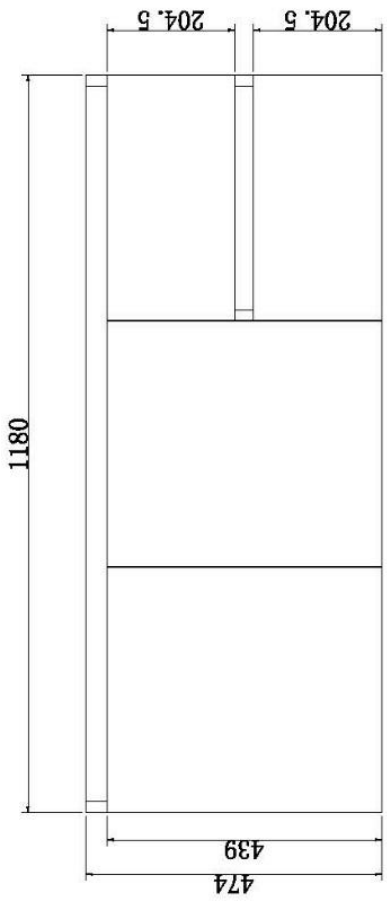
Solid surface is a man-made, non-porous composite material comprising of acrylic resins, polyester resins and pigments, it is extremely durable, hygienic and repairable. Solid Surface is easy to maintain in the home and has been a trusted material in the Bathroom and Kitchen Industry for many years.

Solid Surface has the look of stone and is **100% Silica free**

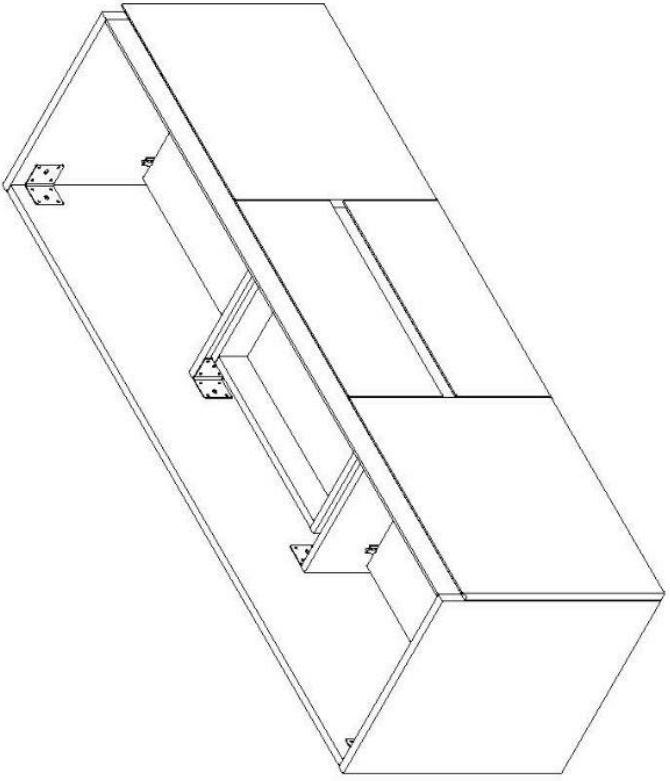
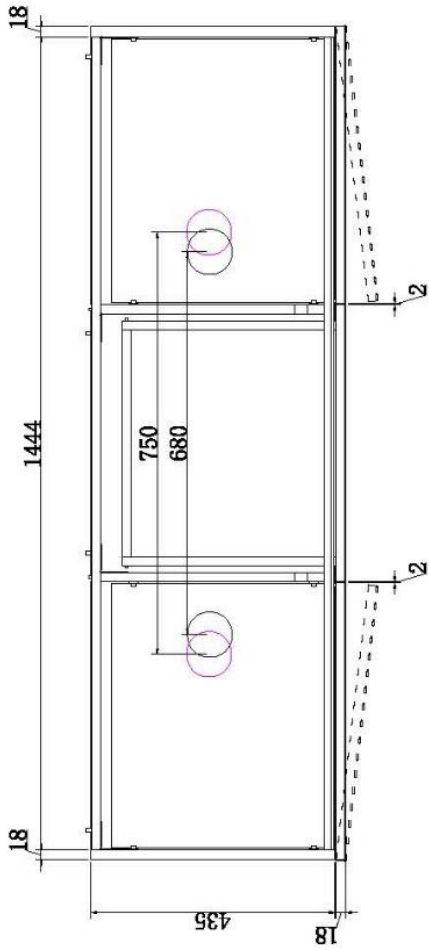
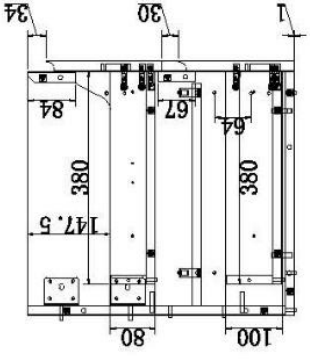
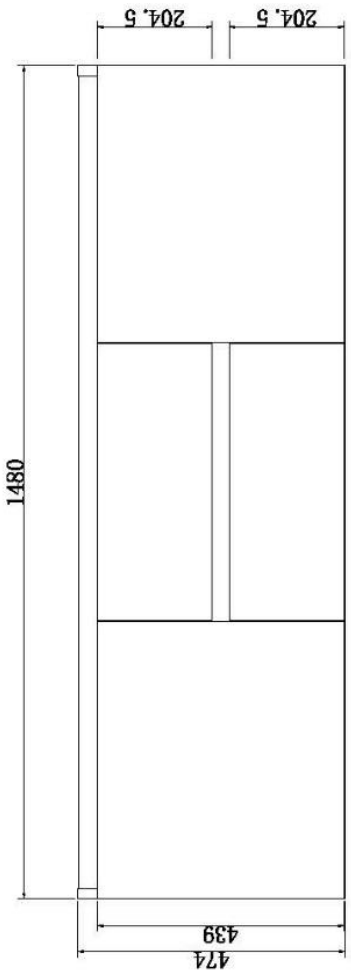


900 HEIDI





1200 HEIDI



1500 HEIDI



**Unit 11, 274 -276 Hoxton Park Rd Prestons NSW**  
**All mail to P.O Box 364 Padstow NSW 2211**  
**Fax: 02 858 289 81**

**Email: [sales@ledinaustralia.com.au](mailto:sales@ledinaustralia.com.au)**

**Website: [www.ledinaustralia.com.au](http://www.ledinaustralia.com.au)**

## **Warranty information**

Ledin Australia Pty Ltd warrants the products we distribute for the period of five years from the date of purchase. Ledin Australia Pty Ltd will at its discretion, pursuant to its obligations under the competition and consumers act 2010: repair or replace the defective product or parts.

**ALL ITEMS MUST BE INSPECTED THOROUGHLY BEFORE INSTALLATION. FOR FAULTS OR DAMAGE. IF A FAULT IS FOUND IMMEDIATELY NOTIFY LEDIN AUSTRALIA OR YOUR PLACE OF PURCHASE. THE ITEM MUST NOT BE INSTALLED WITHOUT AUTHORITY FROM LEDIN AUSTRALIA PTY LTD. NO CLAIMS WILL BE ACCEPTED WITHOUT THIS AUTHORITY**

This warranty does not cover damage by improper installation, neglect or misuse, improper care and maintenance, water damage and natural causes such as sunlight or excessive humidity. It should be noted that all cabinets are manufactured from water resistant materials but are **not waterproof**. All care must be taken immediately to dry any spillage of water that may gain entry to the cabinet. All claims for warranty should be reported to the original place of purchase with a copy of purchase receipt. Cabinets must not be affixed in by tiles, and cabinets must be installed in such a way that they can be removed if required without disturbing any tiles. Cabinets must be protected from water from baths and showers by protective screens. **CABINETS MUST BE SCREWED TO THE WALL**

Regulation 90 of the ACL 2010 states: Our goods come with guarantees that that cannot be excluded under the Australian consumer law. You are entitled to a replacement or refund for a major failure and for compensation for any other reasonably foreseeable loss or damage. You are also entitled to have the goods repaired or replaced if the goods fail to be of acceptable quality and the failure does not amount to a major failure.