



DESIGNER BATHROOM
FURNITURE
ALWAYS IN STYLE

JANE ENSUITE



www.ledinaustralia.com.au

Jane ENSUITE

Jane Ensuite available in 600,750 and 900 sizes, 360mm deep
White Gloss cabinet with soft close doors and full extension drawer runners,
Legs or Plinth.

White Gloss Cabinet Available with Left or Right hand drawers.

Ceramic top available in 1 or 3 tap hole.

Stone or solid surface bench top options available, choice of colours, choice of basins



Mini Console top



See basin page for full selection



Jane Ensuite OAK 360mm deep

Jane Ensuite depth 360mm, finger pull design

Full OAK colour units. Available in 600mm,750mm, 900mm.

Oak Cabinet RIGHT HAND DRAWER only

Choice of ceramic top, Solid surface or Stone Bench top.

Choice of ceramic or solid surface basins on bench top models.

Soft close doors and full extension easy slide drawer runners

Includes detachable plinth and legs.



MINI CERAMIC TOP 1th or 3th



See basin page for full selection

ON COUNTER
CERAMIC BASINS



PETITE ENSUITE
405 X 110 X 95



PAIGE ENSUITE
425 x 310 X 125



EGG
415 X 330 X 140



MINI ERIN-EDGE
310r X 110



MINI ERIN
310r x100



CRUZE -EDGE
460 x 325 x 140



CRUZE
460 x 325 x 140



SARINA
500 x 350 x 90



Mini Ceramic top.
600,750,900. 1 or 3 tap hole

32mm Plug and waste required

SOLID SURFACE basins



MARCO

505 X 355 X 110



SIARA SEMI INSET

310R SEMI INSET 45MM OUT

Ceramic Console tops



Mini Ensuite 360mm deep
600,750,900

BENCH TOP COLOURS

SOLID SURFACE BENCH TOP COLOURS 12MM



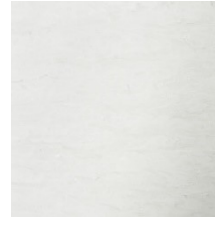
CARRARA



GRECO



SLATE



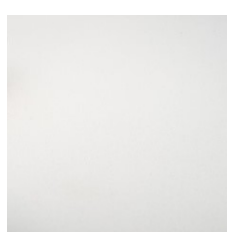
ARCTIC WHITE



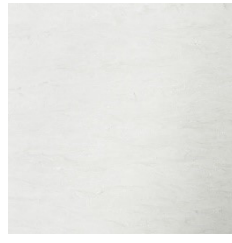
BELLA



PEBBLE



WHITE

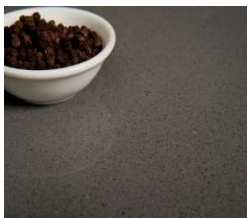


CLOUD WHITE



HUSK

QUARTZ BENCH TOP COLOURS 20MM



Tornado



Ash Grey



Storm



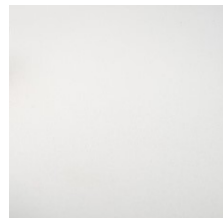
Gobi Black



Ice



Luna White

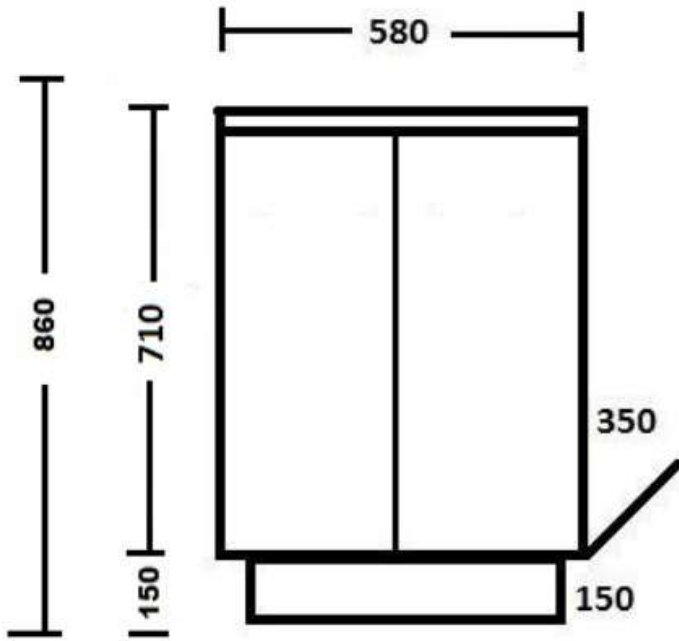


Alpine White

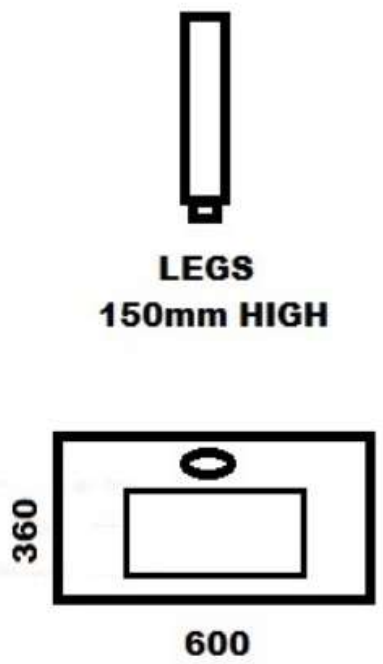


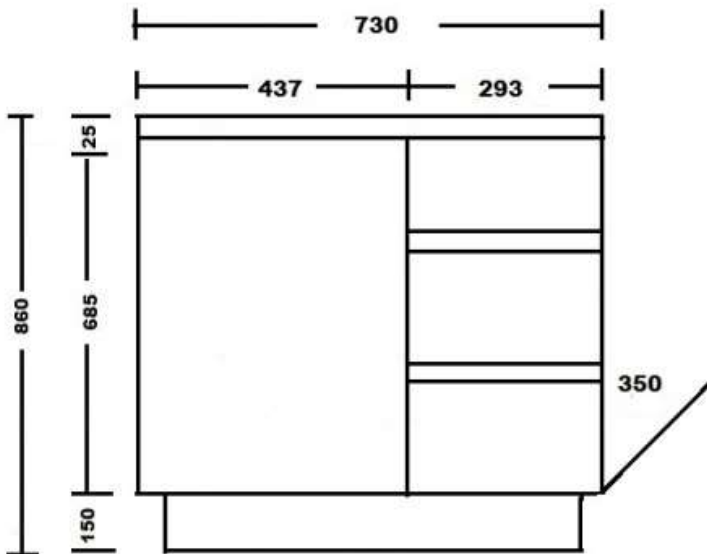
Venuto

Printing processes impose limitations on exact colour reproductions. Images are representative of colours only . Actual colour should be checked at your local stockist

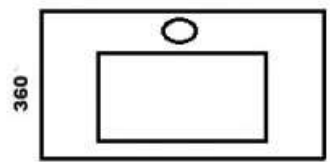
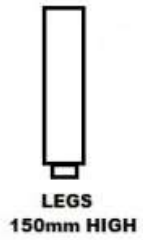


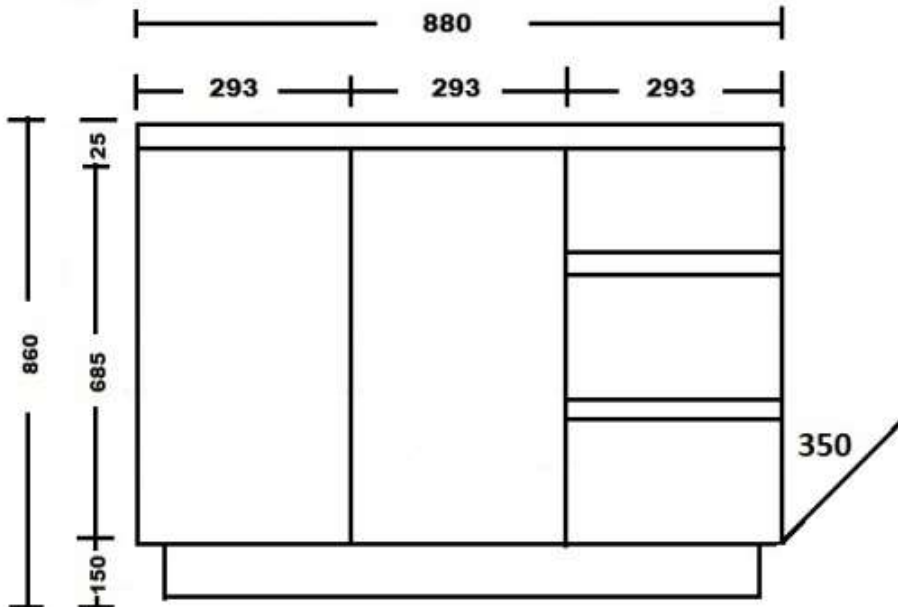
600 JANE ENSUITE



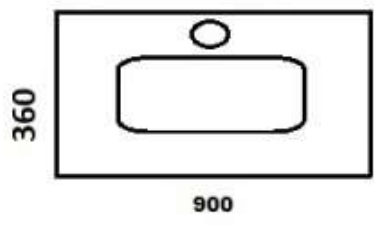
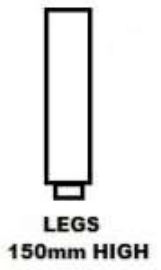


750 JANE ENSUITE CABINET





900 JANE ENSUITE





Warehouse and contact details

Unit 11, 274 -276 Hoxton Park Rd Prestons NSW

All mail to P.O Box 364 Padstow NSW 2211

Fax: 02 858 289 81

Email: sales@ledinaustralia.com.au

Website: www.ledinaustralia.com.au

Warranty information

Ledin Australia Pty Ltd warrants the products we distribute for the period of five years from the date of purchase. Ledin Australia Pty Ltd will at its discretion, pursuant to its obligations under the competition and consumers act 2010: repair or replace the defective product or parts.

ALL ITEMS MUST BE INSPECTED THOROUGHLY BEFORE INSTALLATION. FOR FAULTS OR DAMAGE. IF A FAULT IS FOUND IMMEDIATELY NOTIFY LEDIN AUSTRALIA OR YOUR PLACE OF PURCHASE. THE ITEM MUST NOT BE INSTALLED WITHOUT AUTHORITY FROM LEDIN AUSTRALIA PTY LTD. NO CLAIMS WILL BE ACCEPTED WITHOUT THIS AUTHORITY

This warranty does not cover damage by improper installation, neglect or misuse, improper care and maintenance, water damage and natural causes such as sunlight or excessive humidity. It should be noted that all cabinets are manufactured from water resistant materials but are **not waterproof**. All care must be taken immediately to dry any spillage of water that may gain entry to the cabinet. All claims for warranty should be reported to the original place of purchase with a copy of purchase receipt. Cabinets must not be affixed in by tiles, and cabinets must be installed in such a way that they can be removed if required without disturbing any tiles. Cabinets must be protected from water from baths and showers by protective screens. **CABINETS MUST BE SCREWED TO THE WALL**

Regulation 90 of the ACL 2010 states: Our goods come with guarantees that that cannot be excluded under the Australian consumer law. You are entitled to a replacement or refund for a major failure and for compensation for any other reasonably foreseeable loss or damage. You are also entitled to have the goods repaired or replaced if the goods fail to be of acceptable quality and the failure does not amount to a major failure.

LEDIN AUSTRALIA IS 100% AUSTRALIAN OWNED