

Ledin
— AUSTRALIA —

Mirrors and Shaving cabinets



Mirage

Round Mirrors

STAINLESS STEEL FRAME

700mm Round x 40mm



Matt Black



Brushed Gold



Satin Steel

Polished Edge Mirrors



ELLA MIRROR
Polished Edge

800 x 400 x 5



HORIZON MIRROR
Polished Edge

500 x 900 x 20

MIRRORS



STAINLESS STEEL FRAME

MATT BLACK, SATIN STEEL,
BRUSHED GOLD,



HORIZON ARCHED

500 X 900h X 30



JASPER MIRROR

910 X 610 X 30

LANDSCAPE OR PORTRAIT MOUNT



ALUMINIUM FRAME

MATT BLACK, BRUSHED GOLD
AND SATIN STEEL FINISH



MIRRORED SHAVING CABINETS



TURIN ENSUITE

MIRRORED SHAVING CAB

Mirrored shaving cabinet pencil edge.

Glass shelves 600,750,900

Gloss White

110 mm deep Full Gloss interior



TURIN MIRRORED SHAVING CAB

Pencil edge. Glass shelves

600 , 750 , 900 ,1200

Gloss White

150mm deep Full Gloss interior

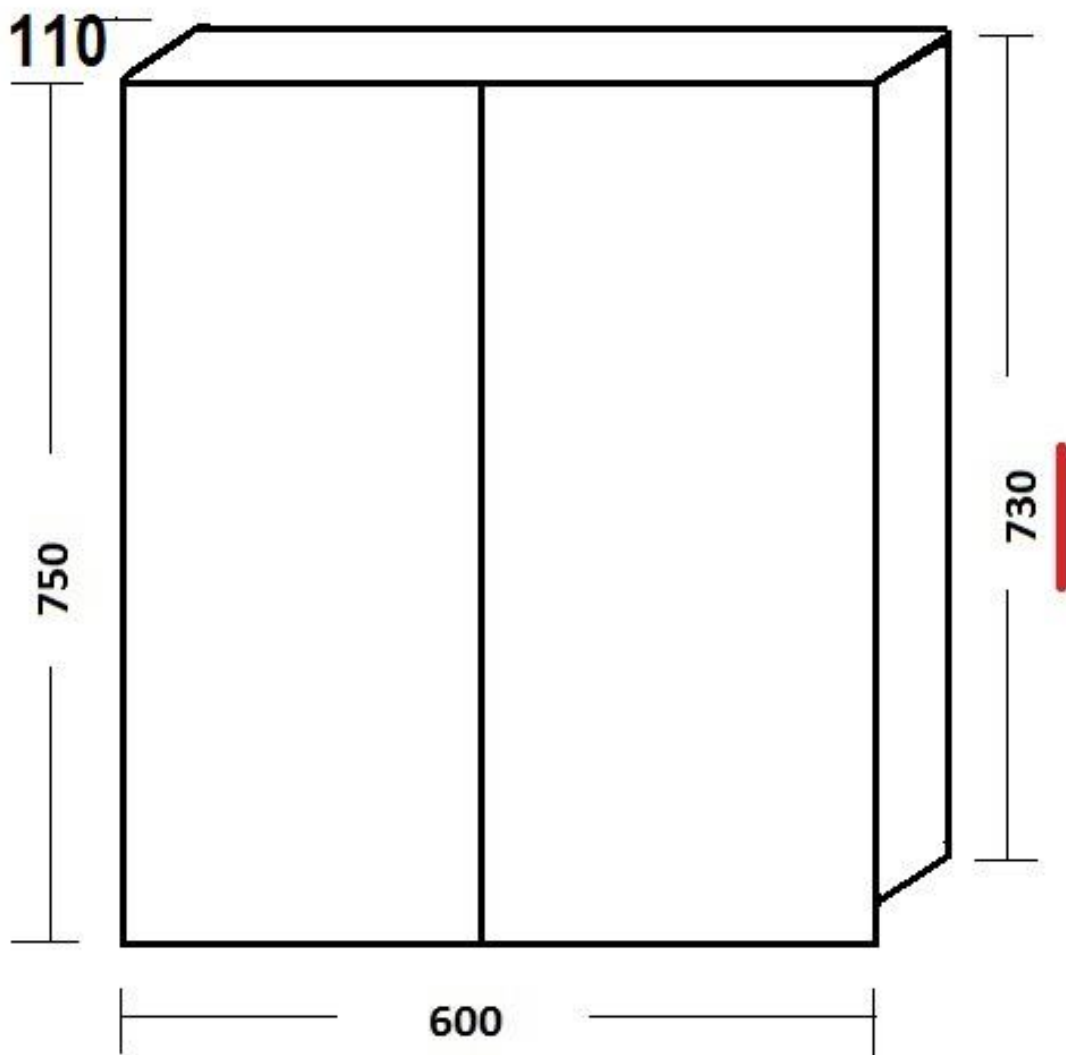


TURIN GOLDEN OAK

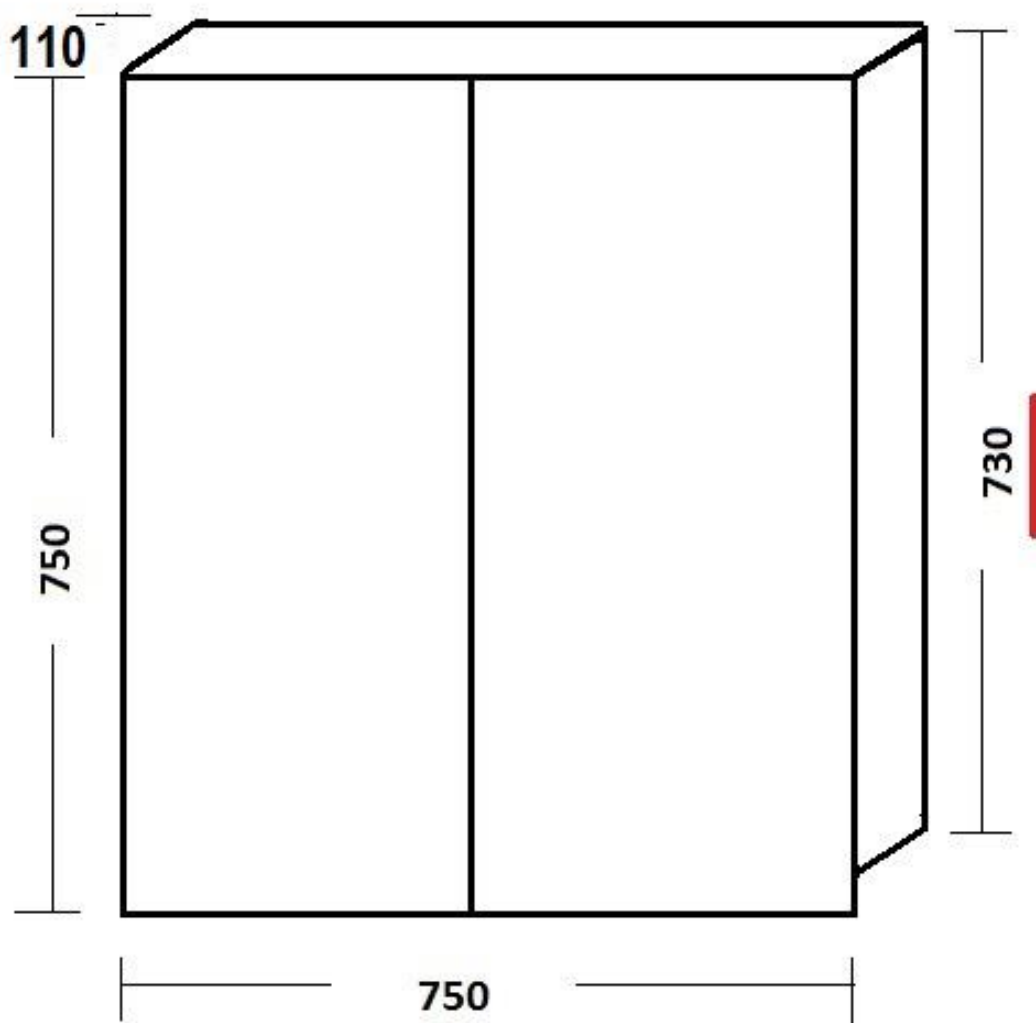
MIRRORED SHAVE CAB PENCIL EDGE GLASS.

Glass Shelves 900 , 1200

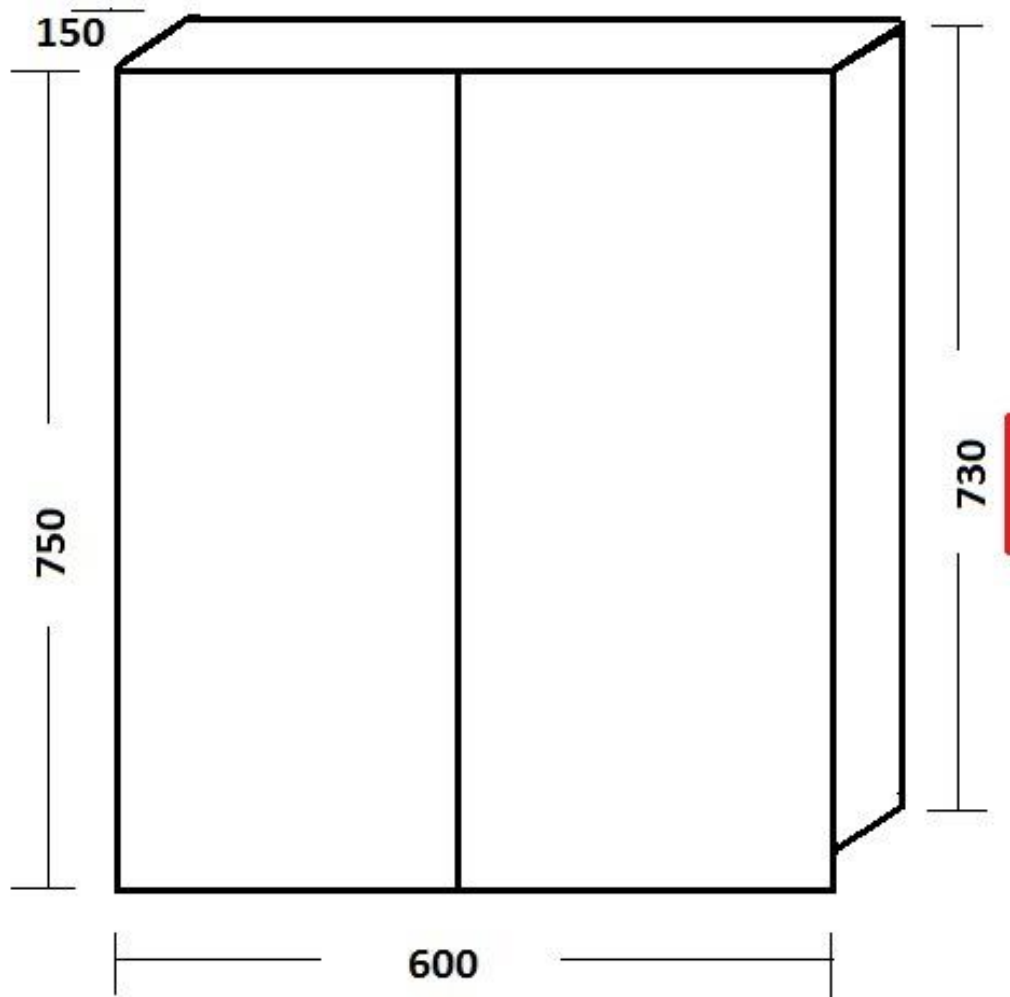




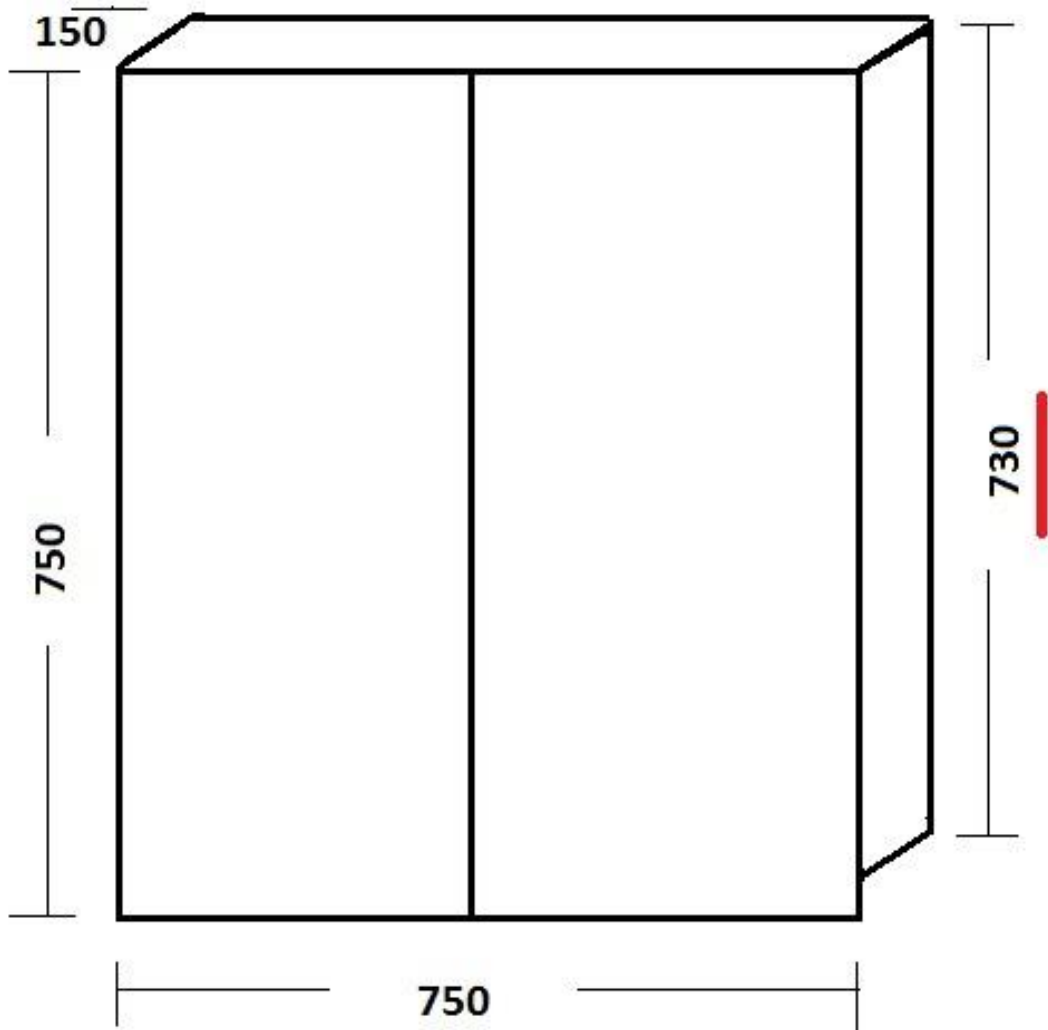
600 TURIN ENSUITE MSC
600 x 750 x 110



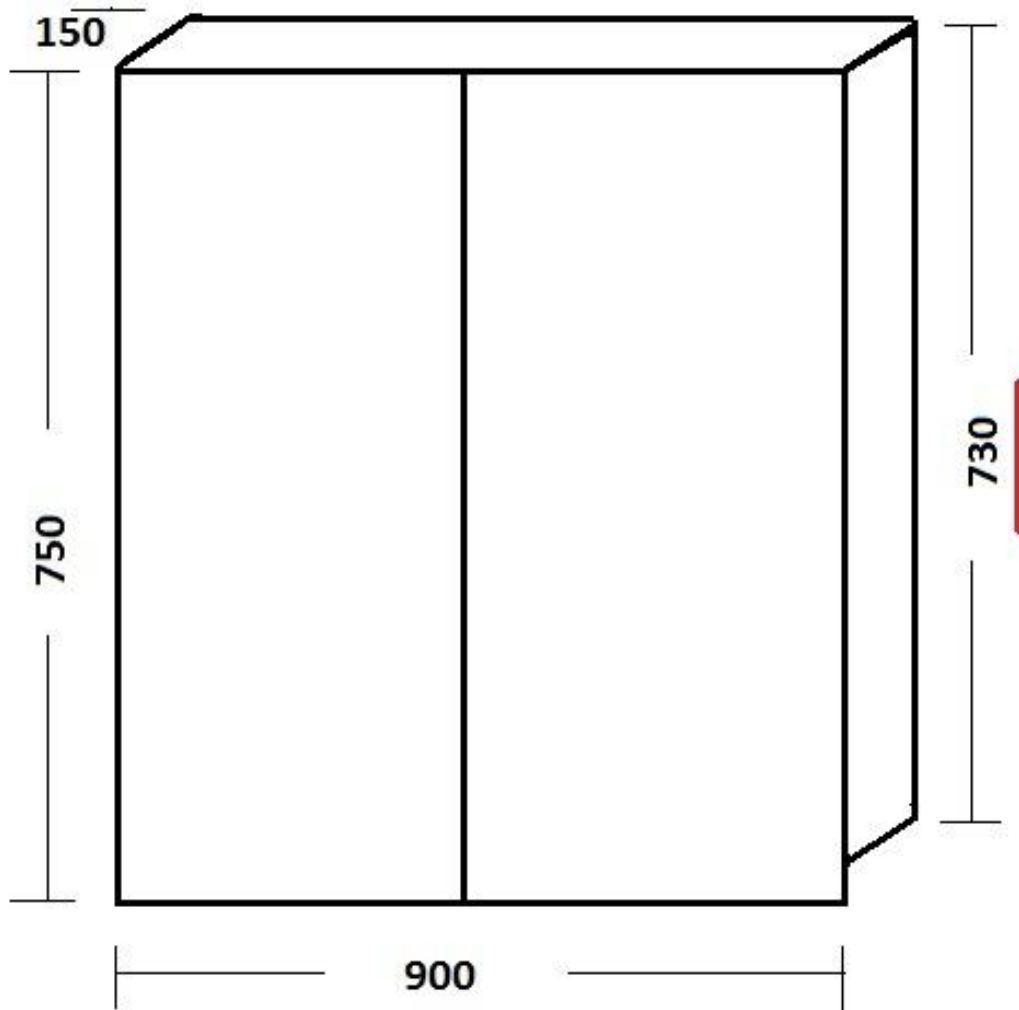
750 TURIN ENSUITE MSC
750 x 750 x 110



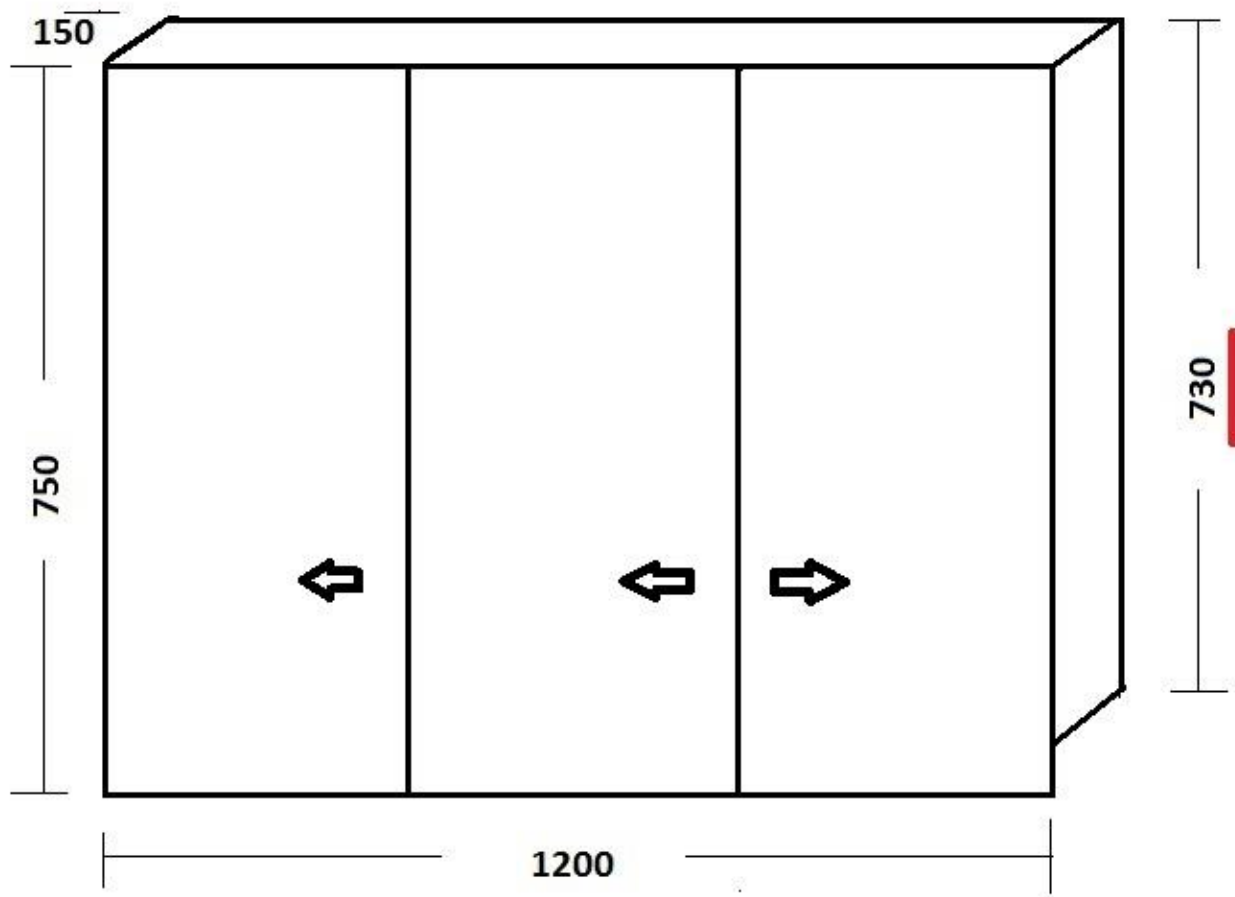
600 TURIN MIRRORED SHAVING CABINET
600 X 750 X 150



750 TURIN MİRRORED SHAVING CABINET
750 X 750 X 150



900 TURIN MİRRORED SHAVING CABINET
900 X 750 X 150



1200 TURIN MİRRORED SHAVING CABINET
1200 X 750 X 150



Warehouse and contact details

Unit 11, 274 -276 Hoxton Park Rd Prestons NSW

All mail to P.O Box 364 Padstow NSW 2211

Fax: 02 858 289 81

Email: sales@ledinaustralia.com.au

Website: www.ledinaustralia.com.au

Warranty information

Ledin Australia Pty Ltd warrants the products we distribute for the period of five years from the date of purchase. Ledin Australia Pty Ltd will at its discretion, pursuant to its obligations under the competition and consumers act 2010: repair or replace the defective product or parts.

ALL ITEMS MUST BE INSPECTED THOROUGHLY BEFORE INSTALLATION. FOR FAULTS OR DAMAGE. IF A FAULT IS FOUND IMMEDIATELY NOTIFY LEDIN AUSTRALIA OR YOUR PLACE OF PURCHASE. THE ITEM MUST NOT BE INSTALLED WITHOUT AUTHORITY FROM LEDIN AUSTRALIA PTY LTD. NO CLAIMS WILL BE ACCEPTED WITHOUT THIS AUTHORITY

This warranty does not cover damage by improper installation, neglect or misuse, improper care and maintenance, water damage and natural causes such as sunlight or excessive humidity. It should be noted that all cabinets are manufactured from water resistant materials but are **not waterproof**. All care must be taken immediately to dry any spillage of water that may gain entry to the cabinet. All claims for warranty should be reported to the original place of purchase with a copy of purchase receipt. Cabinets must not be affixed in by tiles, and cabinets must be installed in such a way that they can be removed if required without disturbing any tiles. Cabinets must be protected from water from baths and showers by protective screens. **CABINETS MUST BE SCREWED TO THE WALL**

Regulation 90 of the ACL 2010 states: Our goods come with guarantees that that cannot be excluded under the Australian consumer law. You are entitled to a replacement or refund for a major failure and for compensation for any other reasonably foreseeable loss or damage. You are also entitled to have the goods repaired or replaced if the goods fail to be of acceptable quality and the failure does not amount to a major failure.
